

Alle m?i uden tolerance \pm CNC mm.

X133000

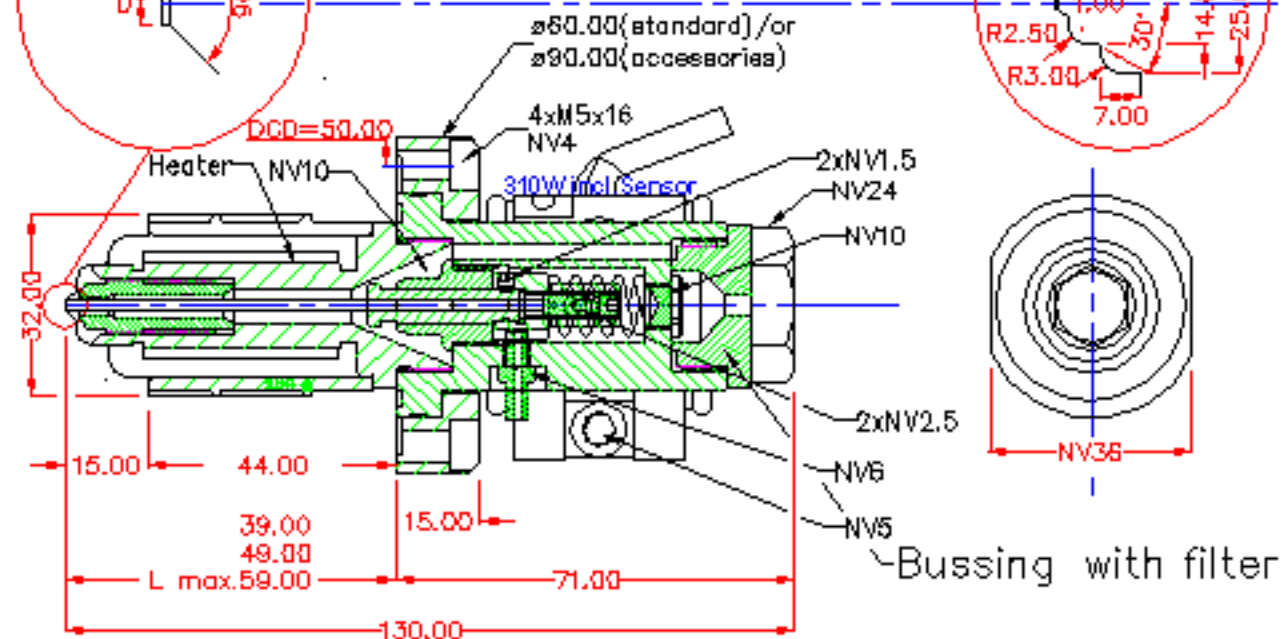
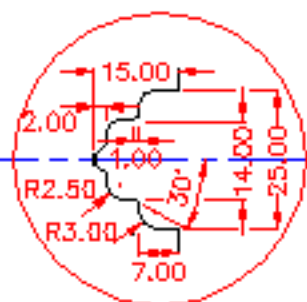
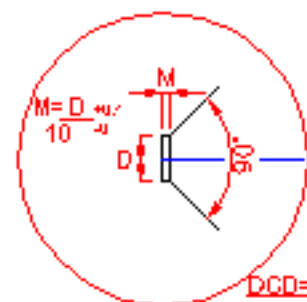


System Flygenring
Denmark



X-TREME VALVE SYSTEM

TYPE: X133000



Complete with all
Included special key

Material	Material
Layer nr.	Layer nr.
Scale	Scale
1:1	1:1
Drawn	Drawn
EP28-07-10	EP28-07-10
Checked	Checked
Approved	Approved
Needle Valve type 133000 with X131959A	

Del of X133000 Type X131959A