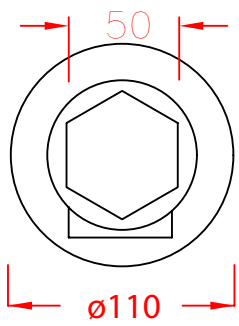
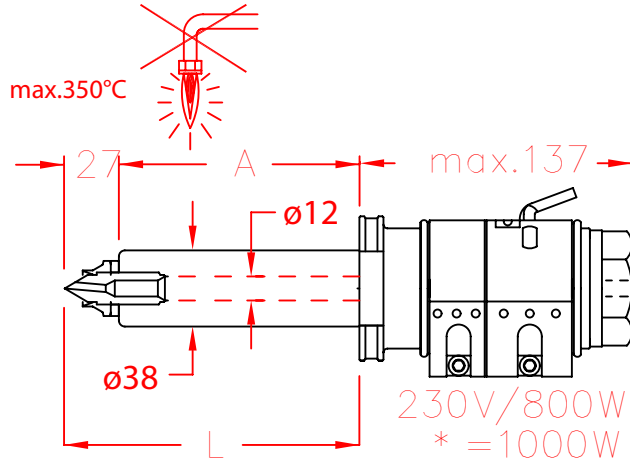
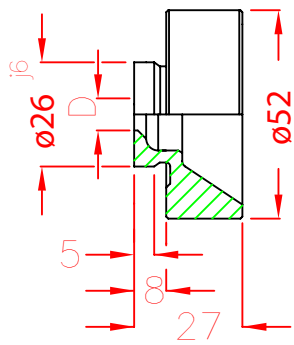


# 213800

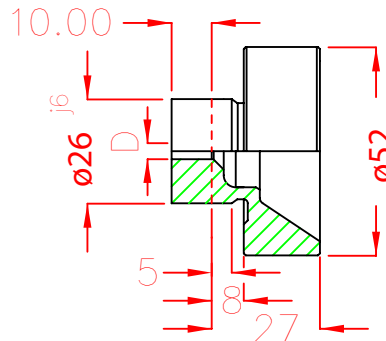


NR.	A
213804	40
213806	60
213808	80
213810	100
213812	120
213814	140
* 213816	160
* 213818	180
* 213820	200
* 213822	220
* 213824	240
* 213826	260
* 213828	280
* 213830	300

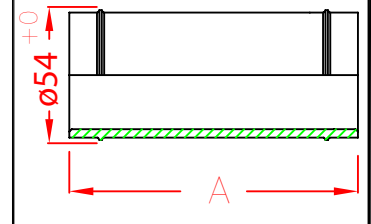
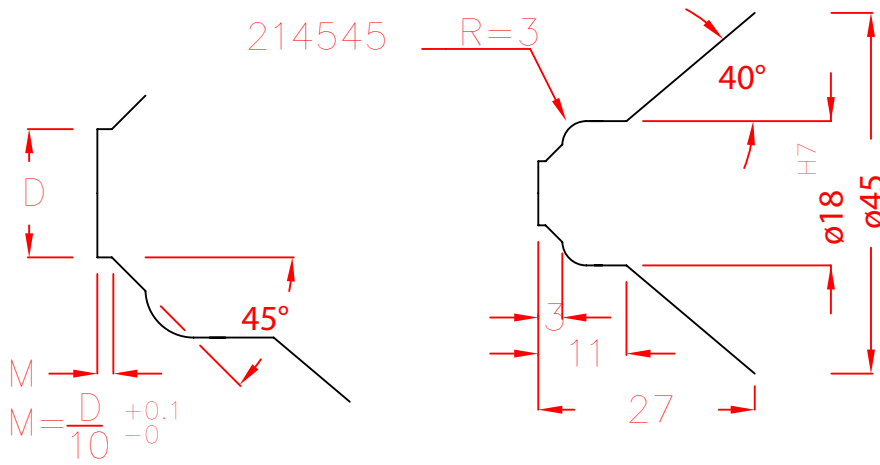


NR.	D
213940	4
213950	5
213960	6
213980	8

Prepared for additional machining



NR.	D	A
213941	4	40



NR.	A
213704	40
213706	60
213708	80
213710	100
213712	120
213714	140
213716	160
213718	180
213720	200
213722	220
213724	240
213726	260
213728	280
213730	300

