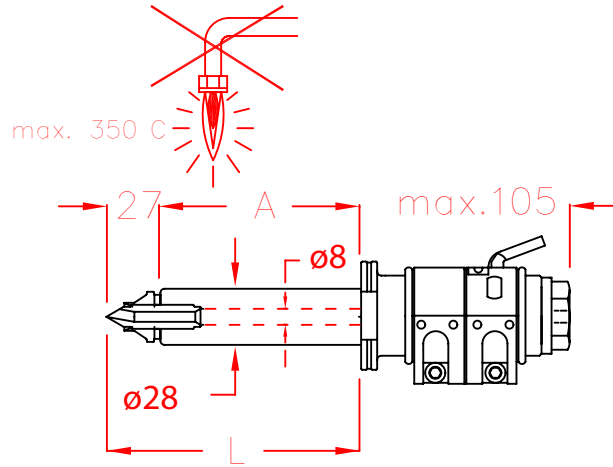
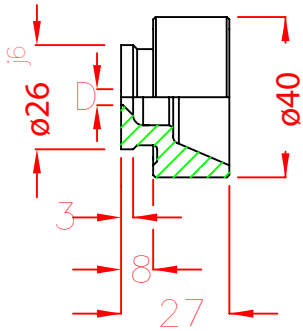


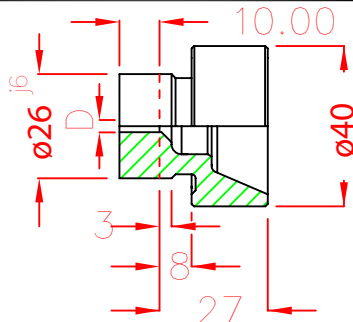
212800



NR.	A
212804	40
212806	60
212808	80
212810	100
212812	120
212814	140



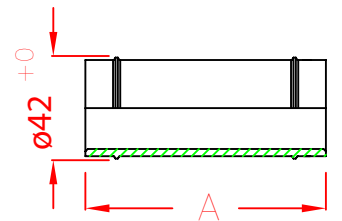
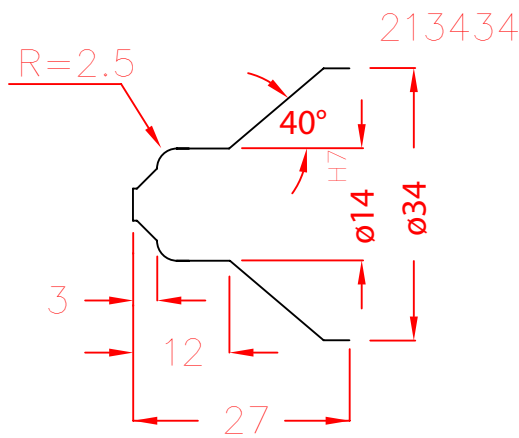
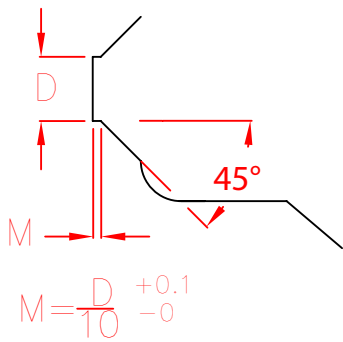
NR.	D
212930	3.0
212935	3.5
212940	4.0



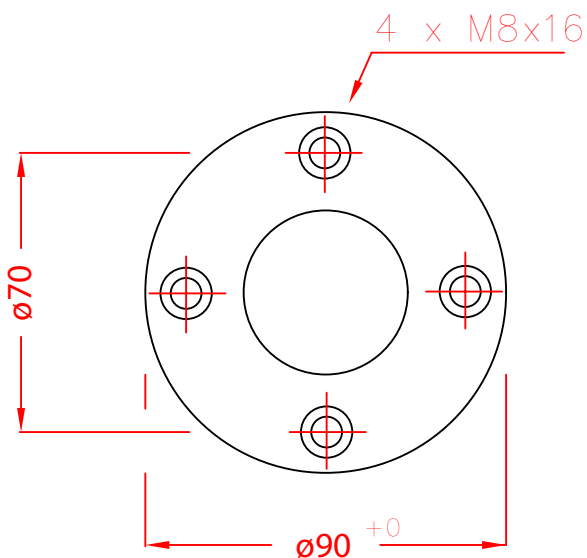
Prepared for additional machining

NR.	D
212931	3.0

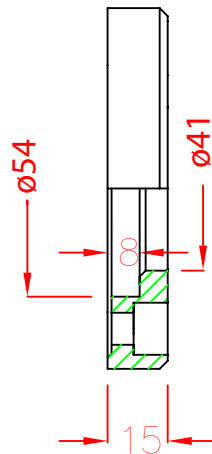
212816	160
212818	180
212820	200
212822	220
212824	240
212826	260
212828	280
212830	300



NR.	A
212704	40
212706	60
212708	80



212890



212710	100
212712	120
212714	140
212716	160
212718	180
212720	200
212722	220
212724	240
212726	260
212728	280
212730	300