



System Flygenring

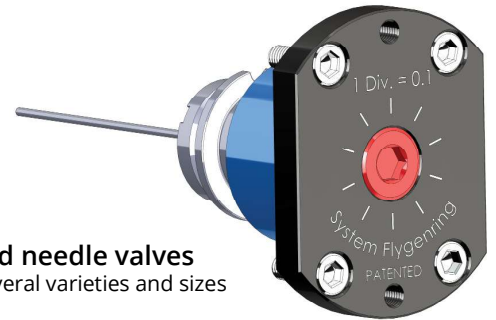
-Advanced hot runner systems

Made in Denmark

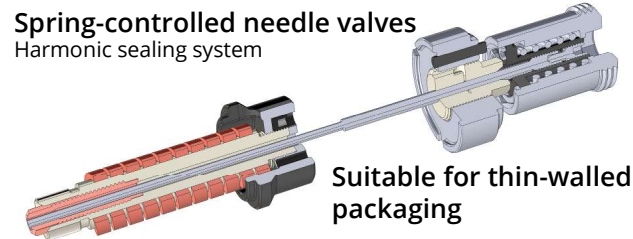
News

Optimize

Your production



Air-operated needle valves
Available in several varieties and sizes

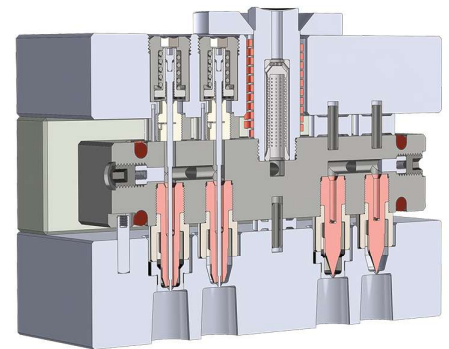
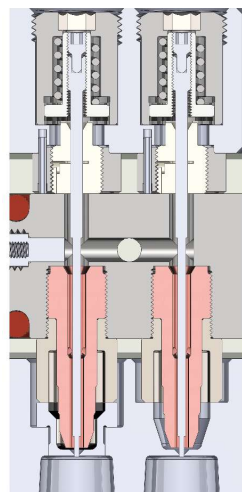
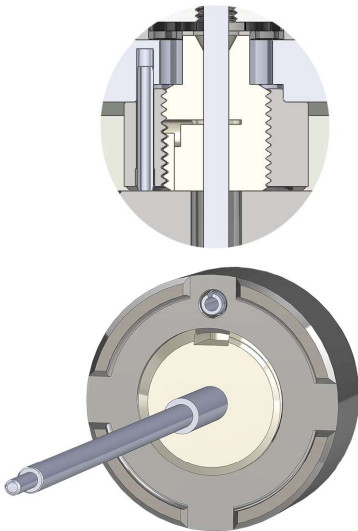


Spring-controlled needle valves
Harmonic sealing system

Suitable for thin-walled packaging

- It has never been easier to seal between the nozzles and valves in hot runner sections.
- With this new patent-pending system it is easy to adjust for different material temperatures.
- No need to correct the tool dimensions at temperature change.

More than 50 years of experience with hot runner systems - **System Flygenring - since 1957**



WE OFFER

Patented needle valves and flow nozzles for large and small objects
as well as complete hot runner systems.

Single-needle
valves objects

Multiple cavities
hot runner
systems

Air-operated
needle valves

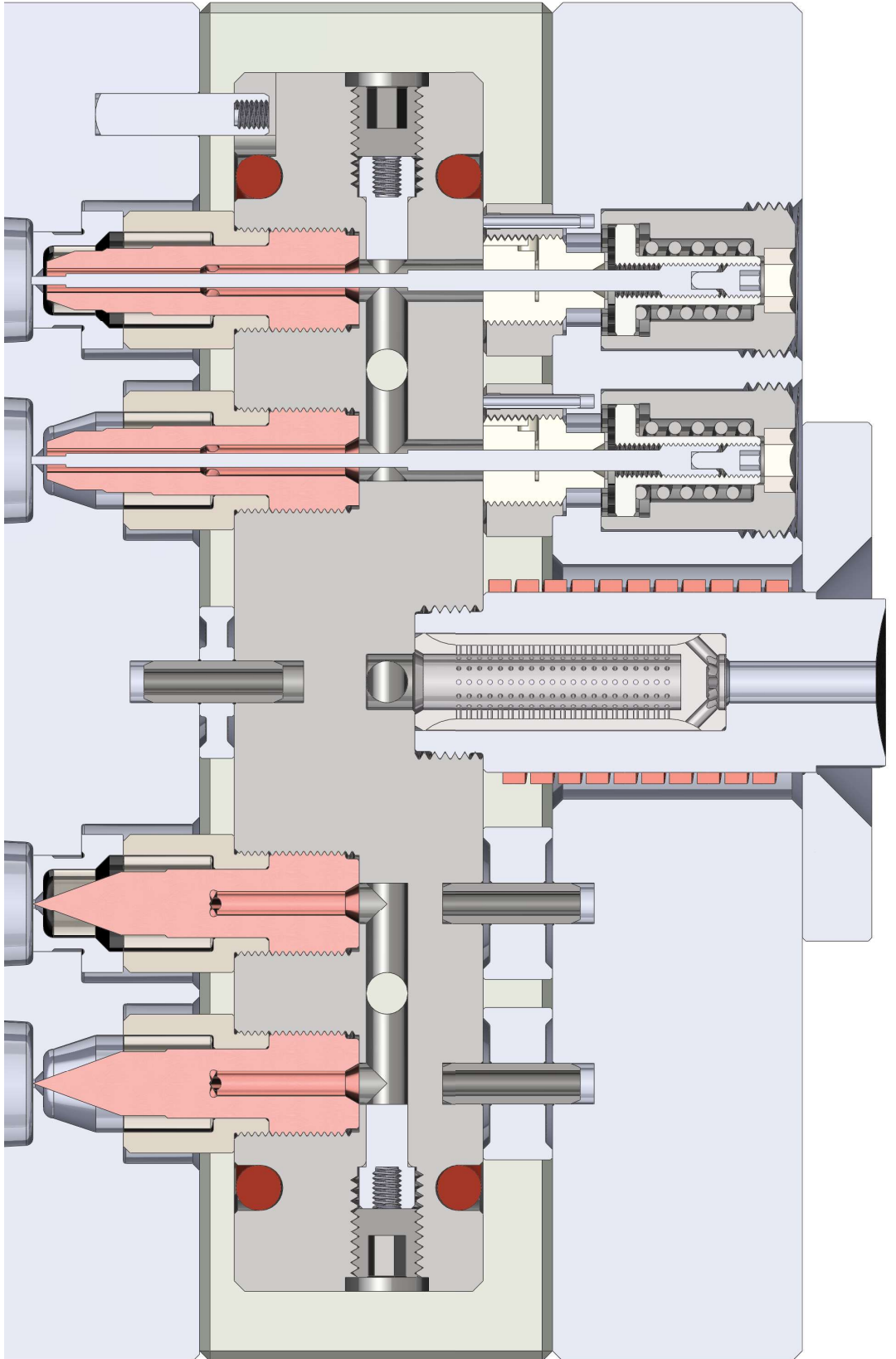
Spring-activated
needle valves



System Flygenring

Advanced hotrunner systems

Made in Denmark



With Needle valve

Advanced hotrunner systems

Made in Denmark

Without needle valve

E-mail: Flygenring@mail.dk

Phone: +45 24 27 74 64

www.hotrunner.dk