



System Flygenring

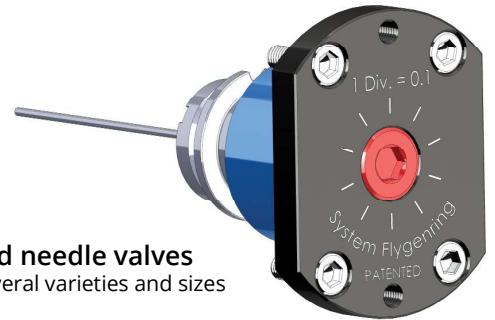
-Advanced hot runner systems

Made in Denmark

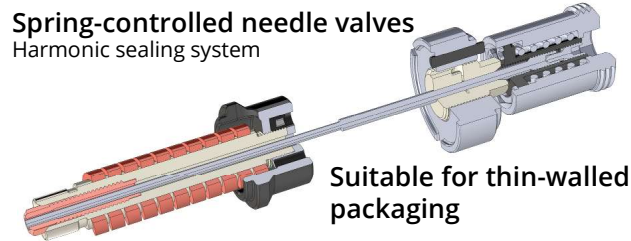
News

Optimize

Your production



Air-operated needle valves
Available in several varieties and sizes

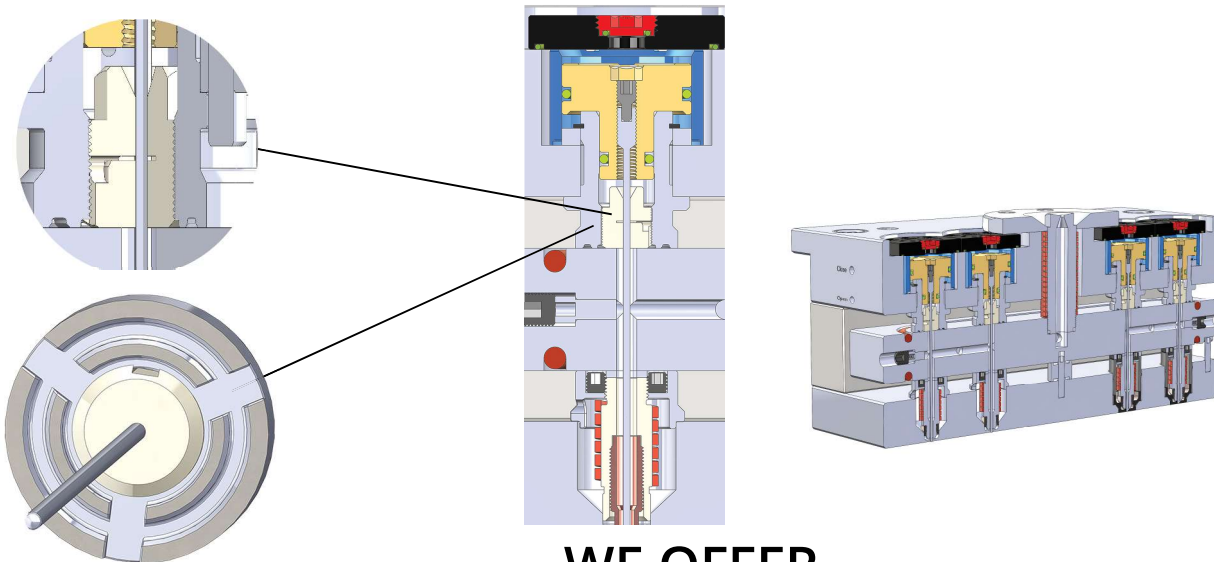


Spring-controlled needle valves
Harmonic sealing system

Suitable for thin-walled packaging

- It has never been easier to seal between the nozzles and valves in hot runner sections.
- With this new patent-pending system it is easy to adjust for different material temperatures.
- No need to correct the tool dimensions at temperature change.

More than 50 years of experience with hot runner systems - **System Flygenring - since 1957**



WE OFFER

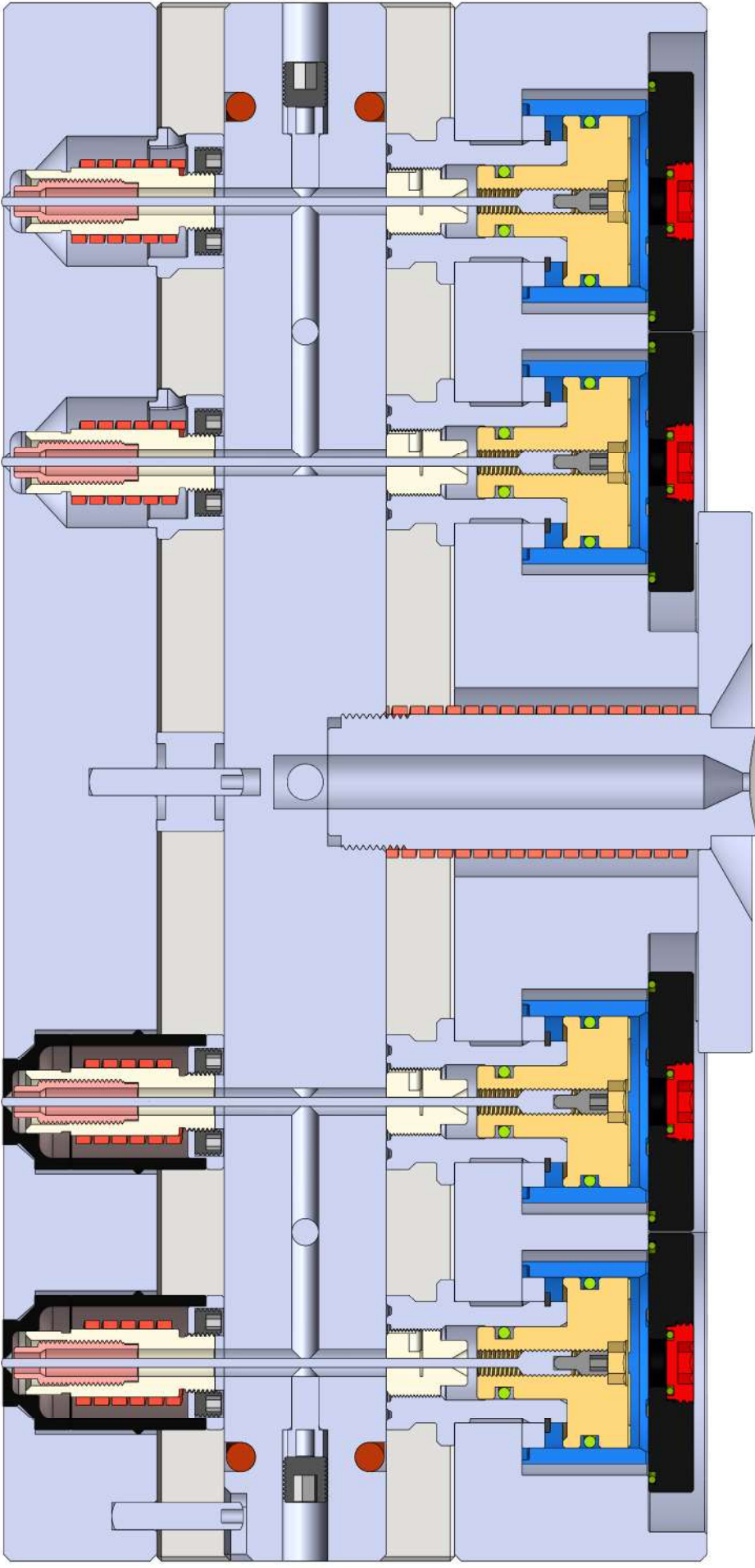
Patented needle valves and flow nozzles for large and small objects
as well as complete hot runner systems.

Single-needle
valves objects

Multiple cavities
hot runner
systems

Air-operated
needle valves

Spring-activated
needle valves



Without gate bushing

With gate bushing